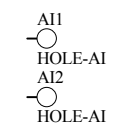
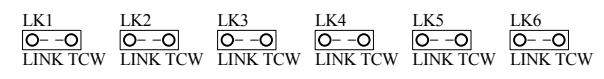
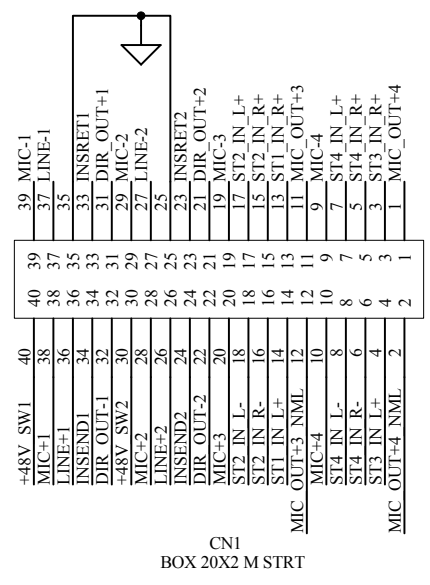
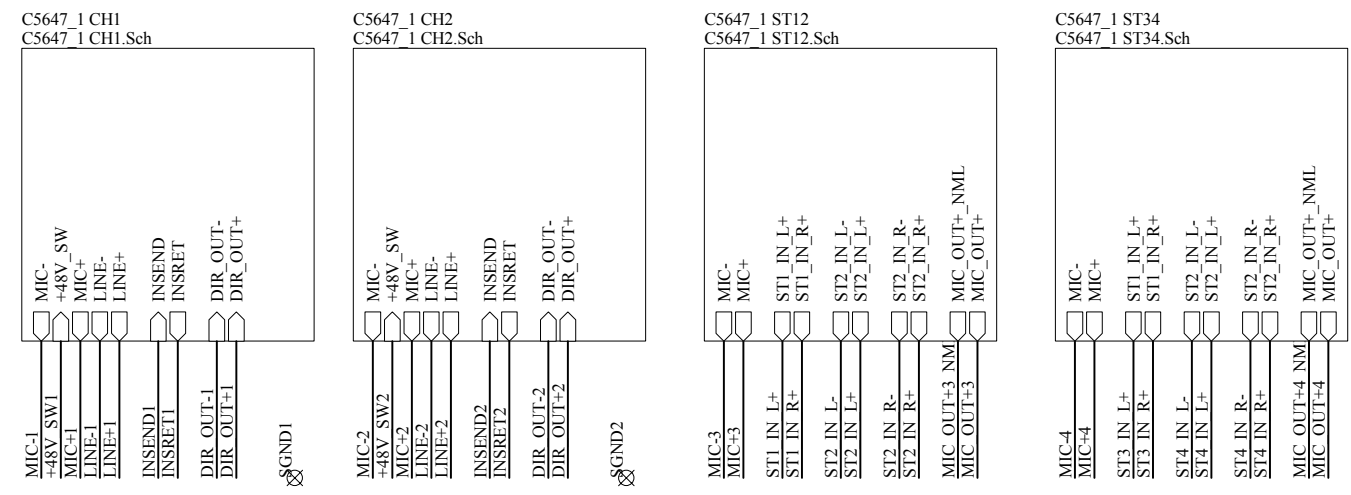


e
d
c
b
a



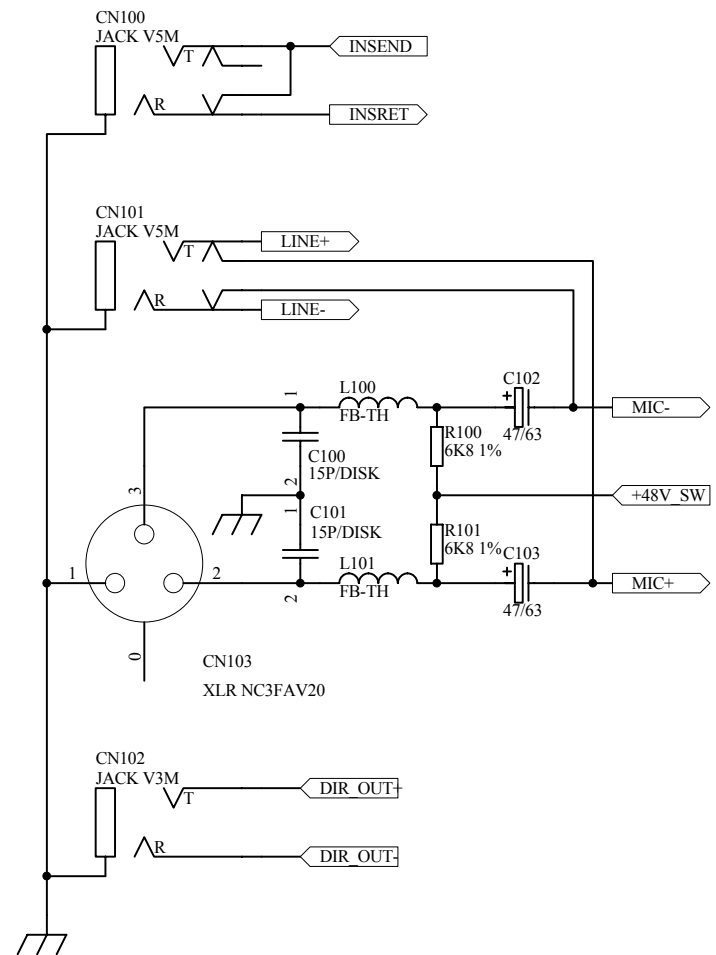
ALLEN&HEATH
Kernick Industrial Estate,
Penryn, Cornwall,
England. TR10 9LU
Tel: +44 (0)8707 556250
Fax: +44 (0)8707 556251

ISSUE	BY	DATE	CHK BY
A	AAT	12-11-03	XXX
1	MG	25-08-04	

PCB UPDATE :-
Sheet Symbol / Port Connections
✓ Append sheet numbers to local nets
✓ Update component footprints
✓ Delete components

FILE: C5647_1.Sch PRINTED: 12:08:11 19-Apr-2005

TITLE: **GL2400 SM CONN PCB**
PAGE: FRONT
DRG No: **C5647** ISSUE: 1 SHEET: 1 OF 5



ALLEN&HEATH
 Kernick Industrial Estate,
 Penryn, Cornwall,
 England. TR10 9LU
 Tel: +44 (0)8707 556250
 Fax: +44 (0)8707 556251

ISSUE	BY	DATE	CHK BY
A	AAT	12-11-03	XXX
1	MG	25-08-04	

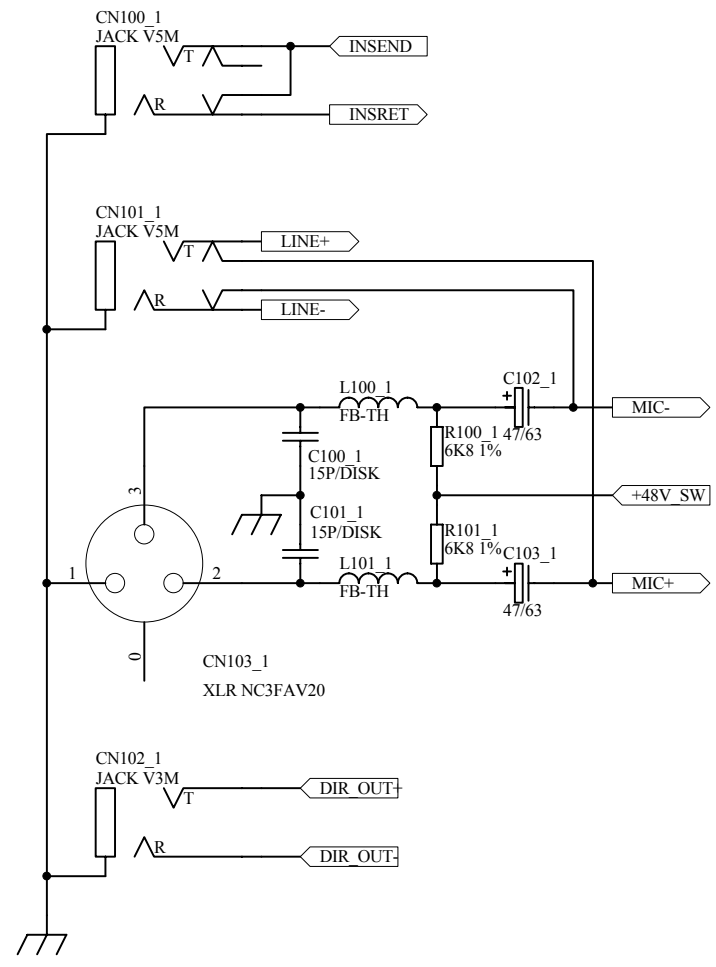
FILE: C5647_1 CH1.Sch

PRINTED: 12:08:12 19-Apr-2005

TITLE: **GL2400 SM CONN PCB**
 PAGE: CH1 CONNS

DRG No: **C5647** ISSUE: 1 SHEET: 2 OF 5

e
d
c
b
a



ALLEN&HEATH
 Kernick Industrial Estate,
 Penryn, Cornwall,
 England. TR10 9LU
 Tel: +44 (0)8707 556250
 Fax: +44 (0)8707 556251

ISSUE	BY	DATE	CHK BY
A	AAT	12-11-03	XXX
1	MG	25-08-04	

FILE: C5647_1 CH2.Sch

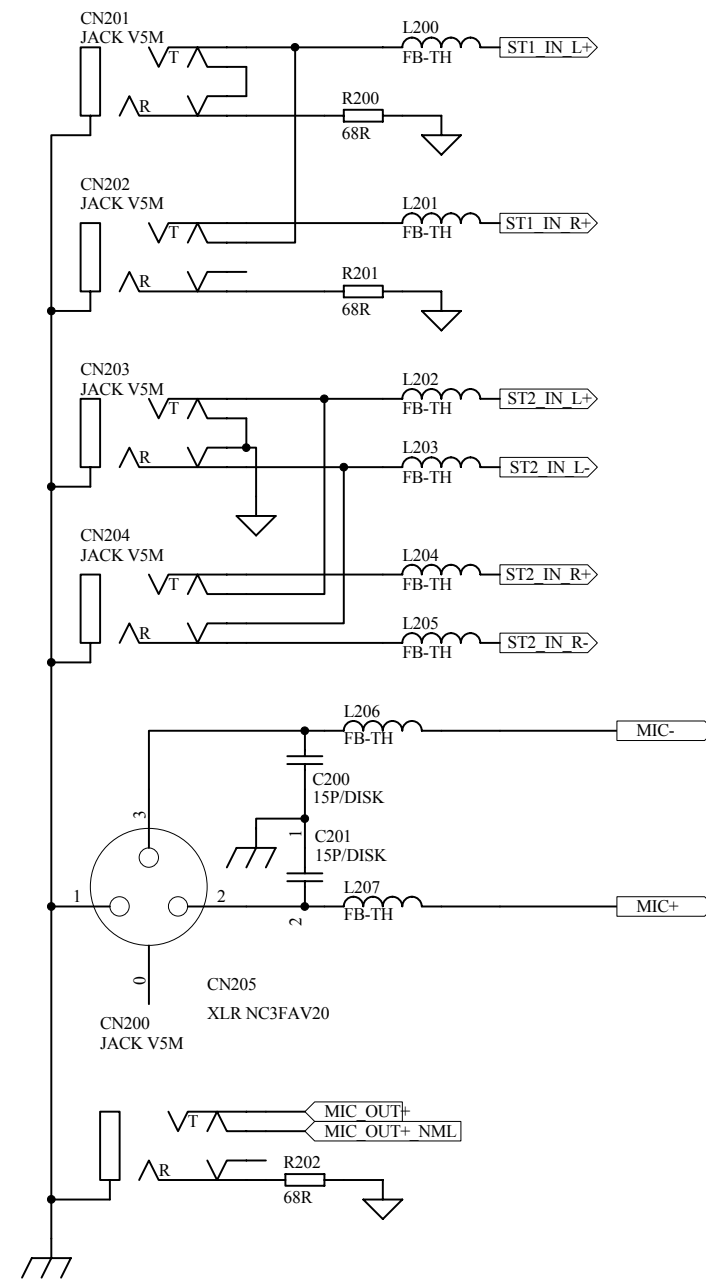
PRINTED: 12:08:12 19-Apr-2005

TITLE: **GL2400 SM CONN PCB**

PAGE: CH2 CONNS

DRG No: **C5647** ISSUE: 1 SHEET: 3 OF 5

003-245 iss.1



ALLEN&HEATH

Kernick Industrial Estate,
Penryn, Cornwall,
England. TR10 9LU
Tel: +44 (0)8707 556250
Fax: +44 (0)8707 556251

ISSUE	BY	DATE	CHK BY
A	AAT	12-11-03	XXX
1	MG	25-08-04	

FILE: C5647_1 ST12.Sch

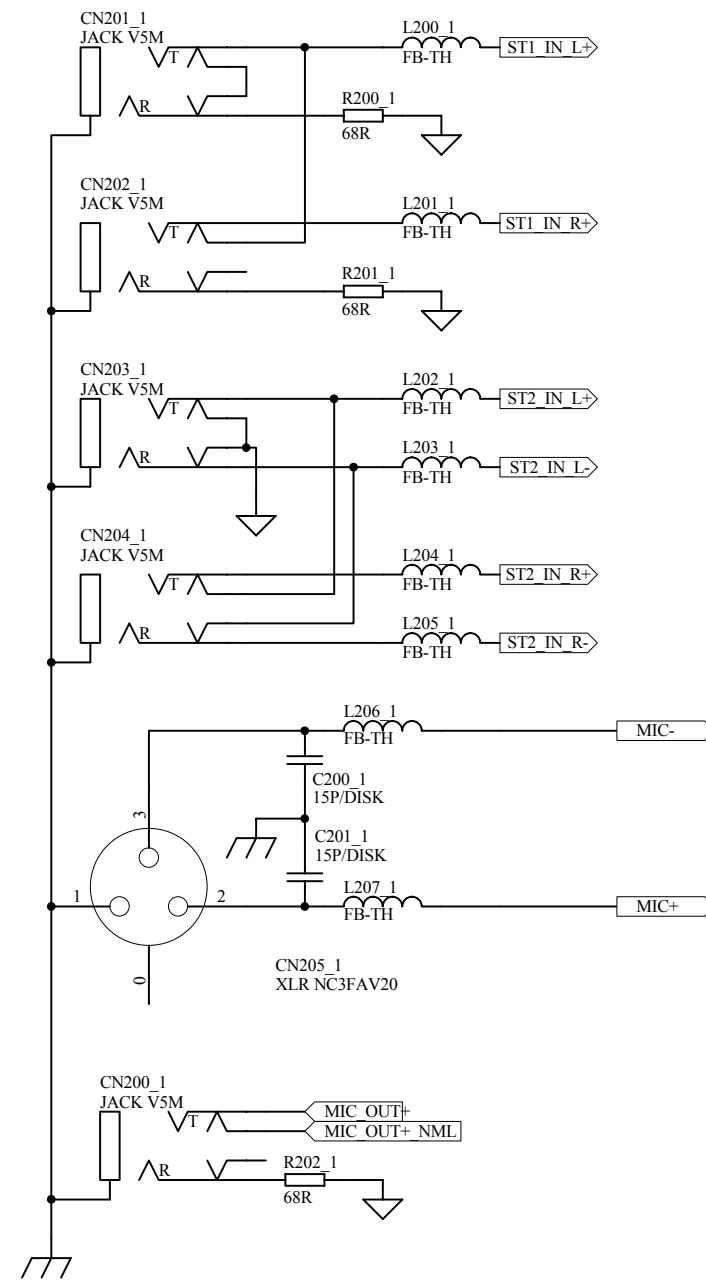
PRINTED: 12:08:12 19-Apr-2005

TITLE: GL2400 SM CONN PCB

PAGE: ST1/2 CONNS

DRG No: C5647 ISSUE: 1 SHEET: 4 OF 5

003-245 iss.1



ALLEN&HEATH

Kernick Industrial Estate,
Penryn, Cornwall,
England. TR10 9LU
Tel: +44 (0)8707 556250
Fax: +44 (0)8707 556251

ISSUE	BY	DATE	CHK BY
A	AAT	12-11-03	XXX
1	MG	25-08-04	

FILE: C5647_1 ST34.Sch

PRINTED: 12:08:12 19-Apr-2005

TITLE: GL2400 SM CONN PCB

PAGE: ST3/4 CONNS

DRG No: C5647 ISSUE: 1 SHEET: 5 OF 5

003-245 iss.1

